

Pipe waterproofing collar

Catalog number: 150 700

EAN: 8606008732893



Application

- Waterproofing of water pipes

Technical information

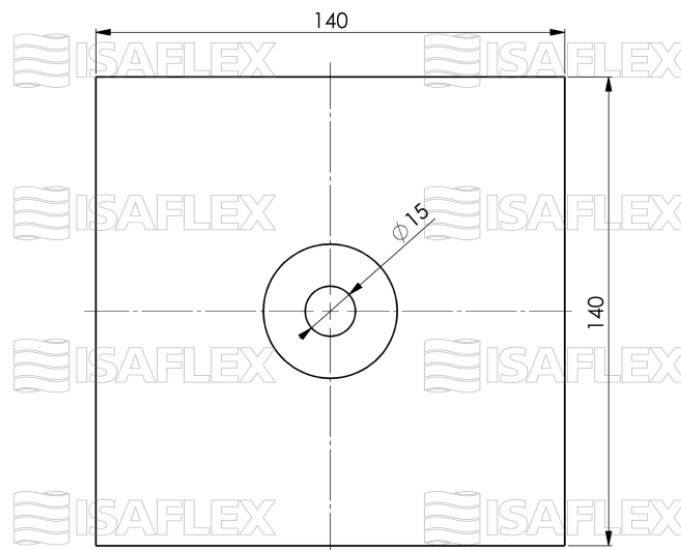
- Material: waterproofing membrane
- Dimensions: 140x140x0,6mm
- Weight: 7,5g

Logistic information

- Package: 25 pieces
- Package dimensions: 190x210x67mm
- Package weight: 287g

Specification

- Applied on water pipe
- Special flexible area in the center for easier pulling over pipe plus
- For pipe diameter 22-37mm



Pipe waterproofing collar

Catalog number: 150 700

EAN: 8606008732893

| Technical Data | | | |
|--|---|------------|--|
| Colour | Grey | | |
| Resistance to temperature: min./max. | -5°C / +60°C | | |
| Dimensions | DIN | Value | Tolerance |
| For pipe diameter | Internal | 22-37mm | |
| Total size | Internal | 140x140mm | ±3mm |
| Diameter flexi zone | Internal | 40mm | ±2mm |
| Diameter hole | Internal | 15mm | ±1mm |
| Material weight | Internal | 7,5g/piece | ±10% |
| Total thickness | Internal | 0,6mm | ±0,1mm |
| Physical properties (approx.) | DIN | Value | |
| Resistance to water pressure | DIN EN 1928 (version B) | ≥1,5bar | |
| Burst pressure | Internal | ≥2bar | |
| Chemical Properties | Resistance after storage over 7 days by roomtemperature in following chemicals | | + = resistant 0 = weakened - = non resistant |
| Hydrochloric acid 3% | Internal | | + |
| Sulphuric acid 35% | Internal | | + |
| Citric acid 100g/l | Internal | | + |
| Lactic acid 5% | Internal | | + |
| Sodium hypochlorite 0,3g/l | Internal | | + |
| Salt water (20g/l Sea water salt) | Internal | | + |
| Potassium hydroxide 3% / 20% | Internal | | + / + |
| Certified according to Classification according to Storage | Certified according to DIN EN ISO 9001:2015 Made in Europe EMICODE emission class EC 1 PLUS, VOC-regulation A+ cool and dry, protect against sunlight, use within 24 months | | |