

Square extension

Catalog number: 7136

EAN: 8606008731391



Application

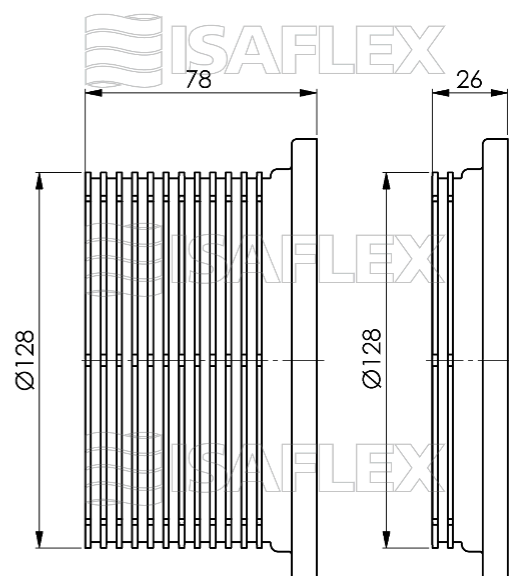
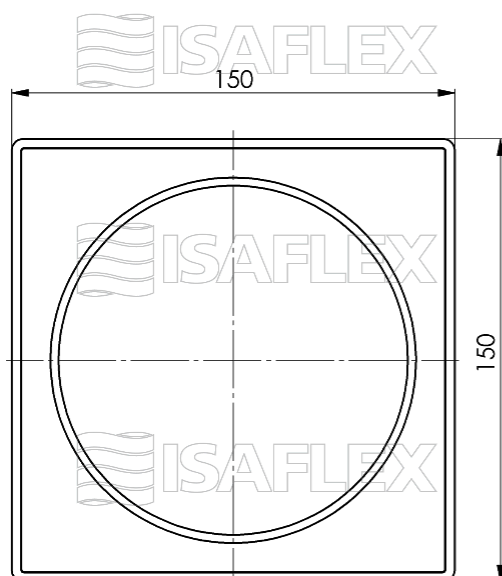
- Adjusting grate height by cutting square extension

Technical information

- Material: PP
- Dimensions: 150x150x78mm
- Weight: 104g

Specification

- Desired grate height is achieved by cutting round extension
- By rotating the square extension the grate is placed at the desired position
- Maximum height of the square extension is 78mm
- Minimum height of the square extension is 26 mm
- Tight joint of the square extension and the grate frame ensures safe and precise installation
- Drainage channels ensure that water that appears outside the square extension goes into the drain
- Compatible with additional components and unpleasant odor prevention parts
- Bigger height is achieved in combination with extension for waterproofing holder



maximum height

minimum height